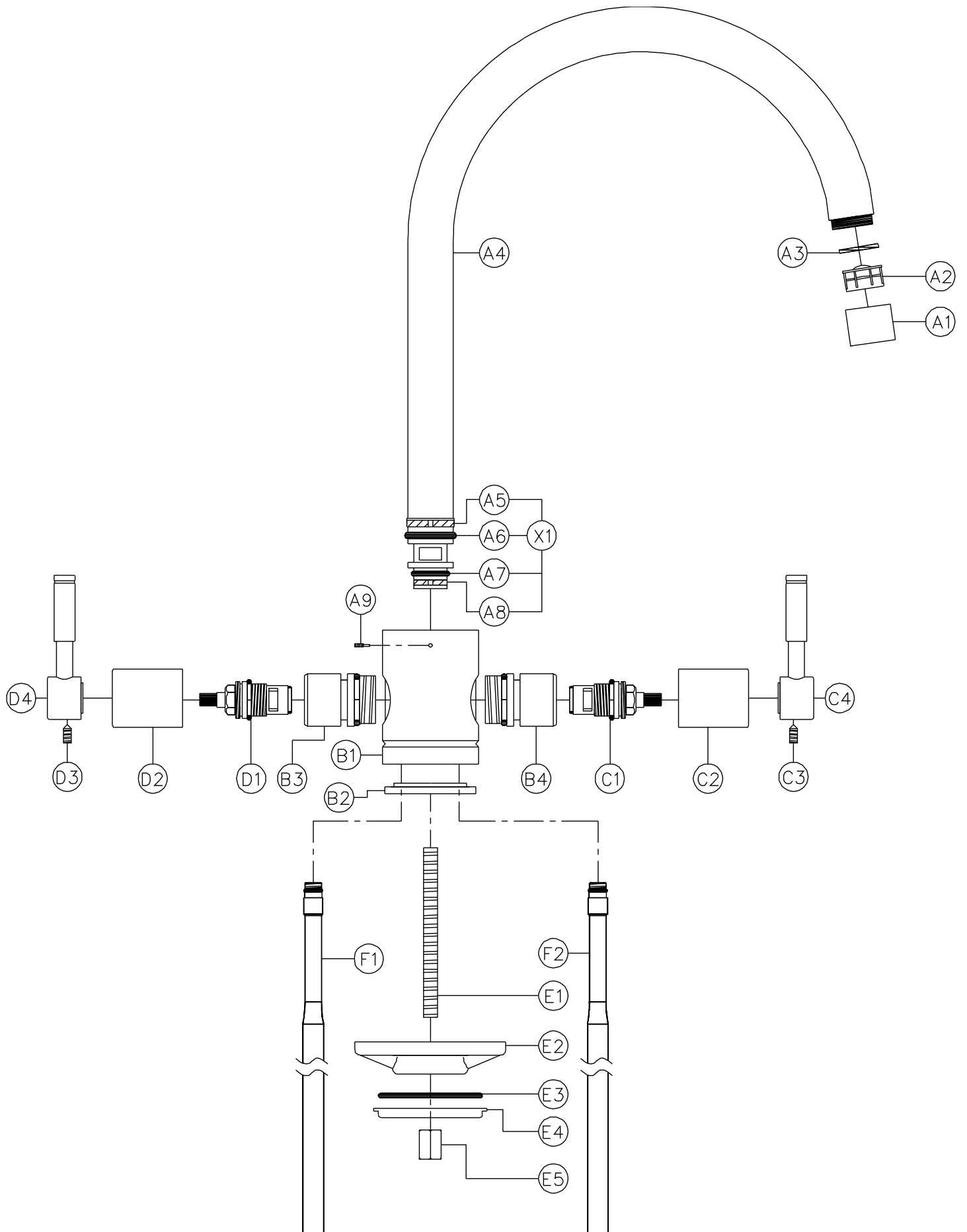


# TRE1 – Aquatrend



**General Advice:**

- These instructions are intended as a guide only, if you are in any doubt you should seek the advice of a qualified professional.
- Take care not to mark finished parts with screwdrivers or other tools.
- Use a pair of rubber gloves to get a better grip on decorative hand tight parts.
- Ensure all parts are reassembled tightly.
- After maintenance test that all assemblies are water tight and function correctly.
- Always isolate the hot and cold water supplies before starting any maintenance, once isolated you should drain any residual water from your system.

**To replace the valve:**

1. Loosen grub screw (C3) on the underside of handle (C4) using a 2mm A/F allen key.
2. Pull the handle (C4) horizontally away from the tap.
3. Unscrew the valve cover (C2) by hand, if necessary use a pair of rubber gloves to get a better grip.
4. Hold the body of the tap (B1) firmly. Using an adjustable or 17mm ring spanner unscrew the valve (C1).
5. Clean the Inside of chamber (B4) with a soft wet cloth.
6. Reassemble the tap in the reverse order.

**To replace the spout o-rings:**

1. Loosen grub screw (A9) on the rear of body (B1) using a 2.5mm A/F allen key
2. Pull the spout (A4) vertically away from the body (B1).
3. Remove the old o-rings (A6 & A7) using a small screwdriver or similar.
4. If worn, remove the white PTFE spacer (A5 & A8).
5. Ensure the inside of the body (B1) and the spout base is clean of dirt and grit with a soft wet cloth.
6. If required locate the new white PTFE spacer (A5 & A8).
7. Carefully locate the new O-rings (A6 & A7) onto the spout base (A4).
8. Grease the O-rings thoroughly with silicone or alternative similar grease.
9. Reassemble the tap in the reverse order.